

TS-R-IN32M3-CEC-E Evaluation Kit of small size (EtherCAT-ready)

This kit is an evaluation platform for software and system development of Renesas Electronics' industrial Ethernet communication LSI (R-IN32M3-EC) supporting EtherCAT.



Features

- Supports multiple protocols, such as EtherCAT
(protocols : EtherCAT, EtherNet/IP, PROFINet, etc.)
- Small size

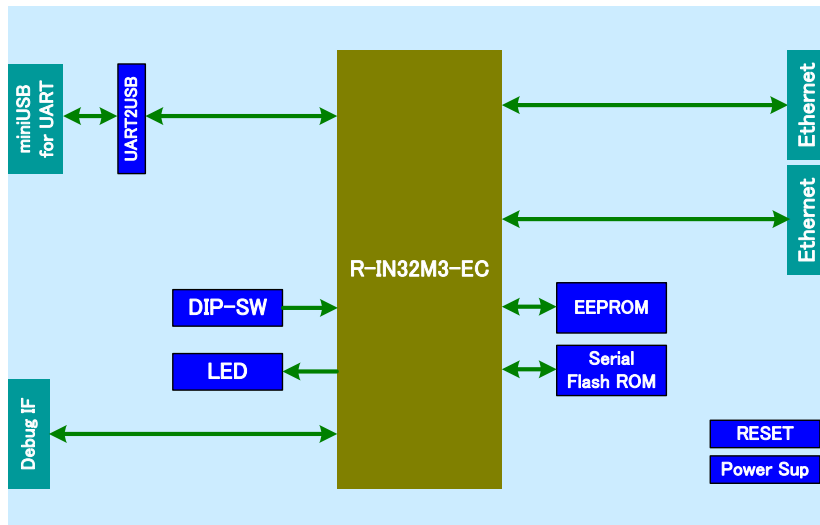
Specifications

List item	Spec
Product Name	TS-R-IN32M3-CEC-E
On-Board LSI	Renesas Electronics System LSI R-IN32M3-EC Note 1 - ARM Cortex™-M3, 32-bit RISC CPU with HW-RTOS (Hardware RTOS) - Operating frequency: 100MHz - RAM: 1.3M-byte large-capacity - 10BASE-T/100BASE-TX Ethernet PHY
Embedded memory	Flash memory (Serial): 32M bits EEPROM : 16K bits
Interface	RJ45(Ethernet/EtherCAT) ,UART(USB)
Debug interface	20-pin half-pitch connector (trace supported)
Supported emulators	IAR Systems:I-jet/JTAGjet Yokogawa Digital Computer: adviceLUNA
Power supply	AC adapter: 5.0V ± 5% 2A or more (Center plus) Note 2
Operating ambient temperature	0 to +70°C
Dimensions	W80mm × D58mm
Accessories	USB cable : 1

Obtainable from the Renesas Electronics website:
 - R-IN32M3-EC related documents, sample software, and application notes

Note 1. For more details on the R-IN32M3-EC LSI, refer to the related documents available from Renesas Electronics.
 Note 2. AC adapter is not included. Please purchase separately.

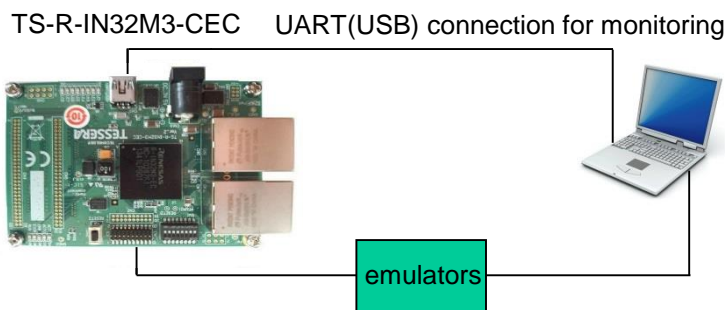
Board Configuration



Development Environment

To start developing your application software, first download sample software from the Renesas website and run the code with the emulator and PC.

Manufacture	Compiler	Debugger	emulators
IAR Systems	EWARM	EWARM	I-jet JTAGjet-Trace-CM
Yokogawa Digital Computer	ARM original RVDS4.1	microVIEW-PLUS	adviceLUNA AP510(Non trace) AP511(trace)
	GNU		A translation adapter is required.(AQ735)



○When developing application software with this kit, please confer with your local Renesas contact.

◎ All product and service names introduced in this document are trademarks and/or registered trademarks of their respective companies.
 ◎ The products and services described in this document are subject to change and/or discontinuation without notice.