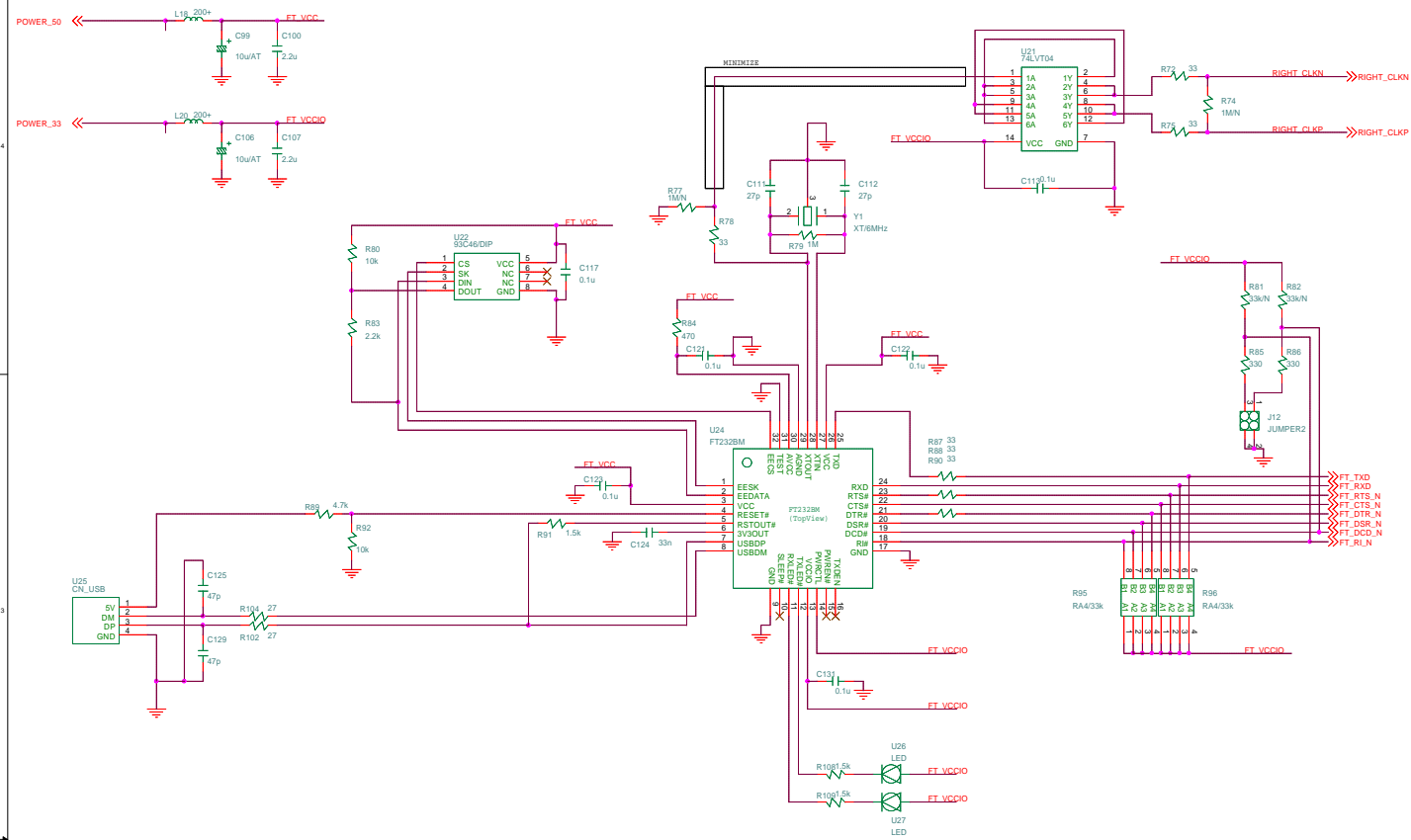
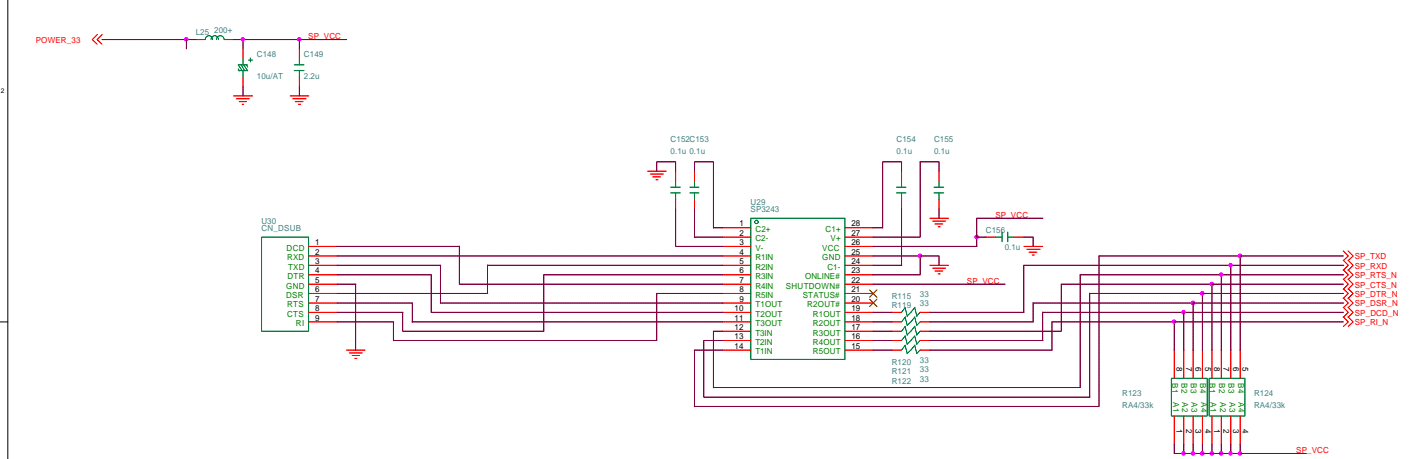


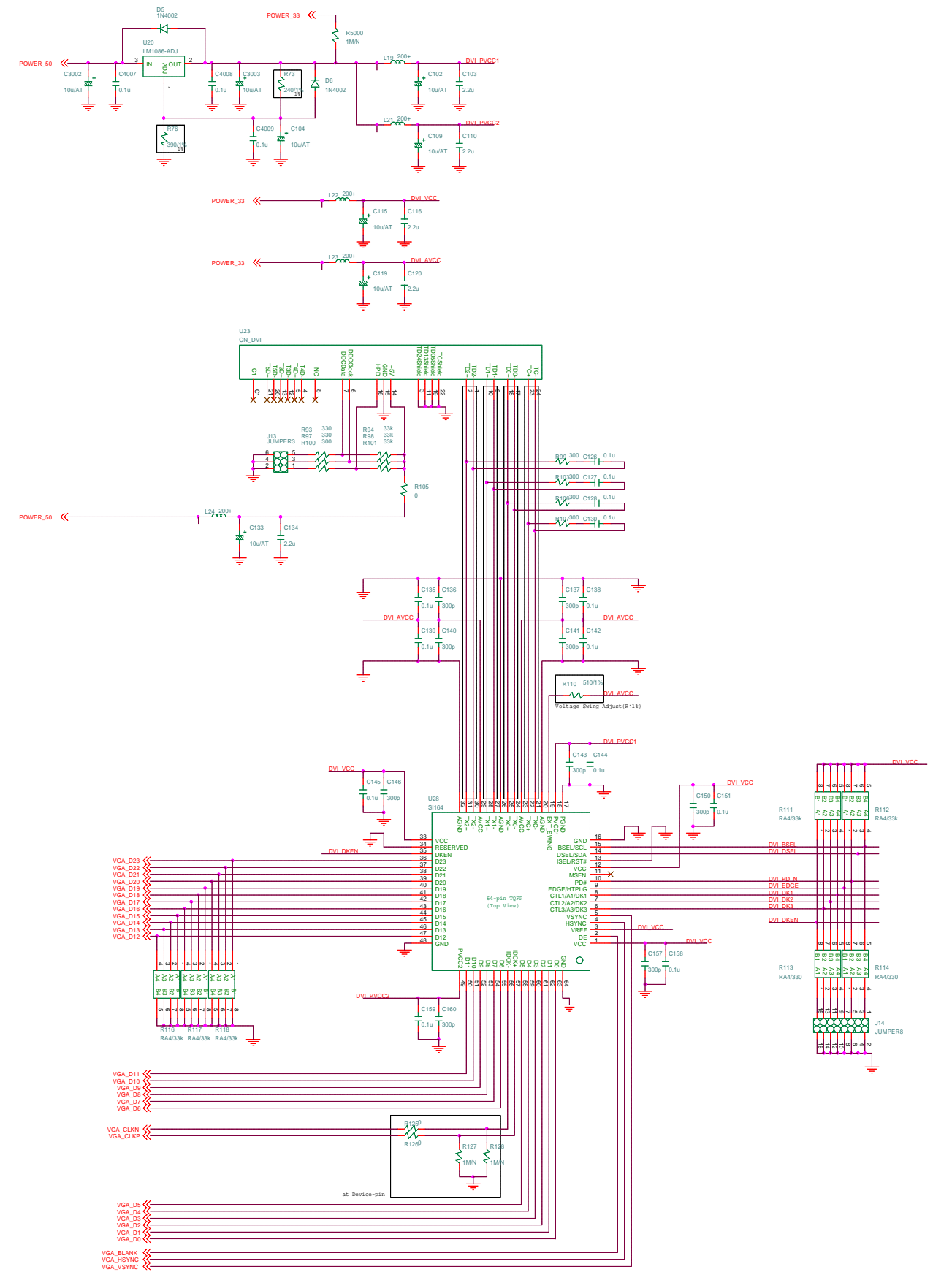
PC(USB) <-> CPUCore(UART) [PC is HOST]



SLAVE(RS232C) <-> CPUCore(UART) [Board is HOST]



DVI-D to CPUCore(VGA)



File	(Title)
Size	Document Number
D	(Doc)
Date	Tuesday, February 14, 2006
Sheet	3 of 4
Rev	(Rev 000)

